

CATHETER MOUNT TUBING

for single use, sterile (only in the length: 15 cm)
 Material: PVC (Connecting Tube), PC (Connector)

Length: 15 cm	Box	Length: 30 cm	Length: 45 cm	Box
REF 60-50-150-1	25	REF 60-50-300	REF 60-50-450	10

Length: 15 cm	Box	Length: 30 cm	Length: 45 cm	Box
REF 60-55-150-1	25	REF 60-55-300	REF 60-55-450	10

Length: 15 cm	Box	Length: 30 cm	Length: 45 cm	Box
REF 60-52-150-1	25	REF 60-52-300	REF 60-52-450	10

Length: 15 cm	Box	Length: 30 cm	Length: 45 cm	Box
REF 60-57-150-1	25	REF 60-57-300	REF 60-57-450	10

Length: 15 cm	Box	Length: 30 cm	Length: 45 cm	Box
REF 60-60-150-1	25	REF 60-60-300	REF 60-60-450	10

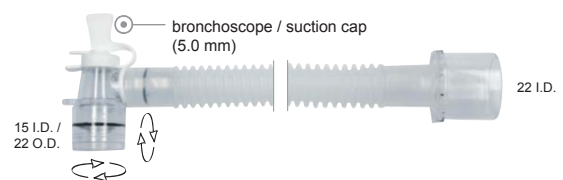
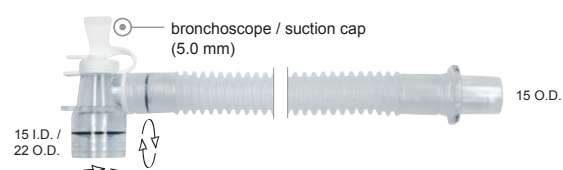
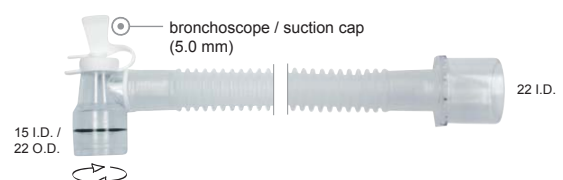
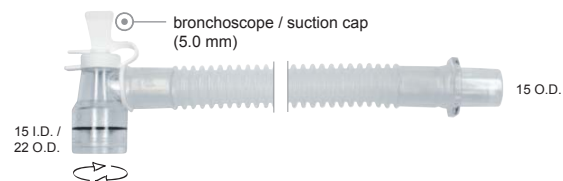
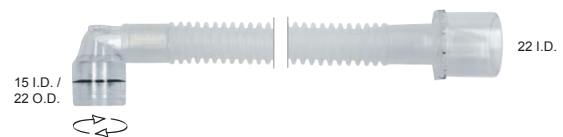
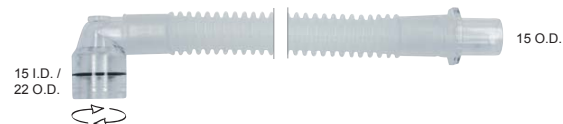
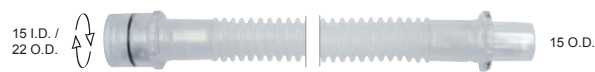
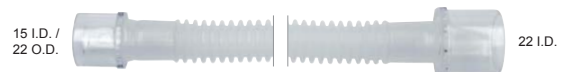
Length: 15 cm	Box	Length: 30 cm	Length: 45 cm	Box
REF 60-80-150-1	25	REF 60-80-300	REF 60-80-450	10

Length: 15 cm	Box	Length: 30 cm	Length: 45 cm	Box
REF 60-65-150-1	25	REF 60-65-300	REF 60-65-450	10

Length: 15 cm	Box	Length: 30 cm	Length: 45 cm	Box
REF 60-85-150-1	25	REF 60-85-300	REF 60-85-450	10

Length: 15 cm	Box	Length: 30 cm	Length: 45 cm	Box
REF 60-68-150-1	25	REF 60-68-300	REF 60-68-450	10

Length: 15 cm	Box	Length: 30 cm	Length: 45 cm	Box
REF 60-88-150-1	25	REF 60-88-300	REF 60-88-450	10



CONNECTING TUBING, for single use

CONNECTORS, straight

for single use, Material: PC



REF 60-50-222 Box 10



REF 60-50-333 Box 10



REF 60-50-555 Box 10



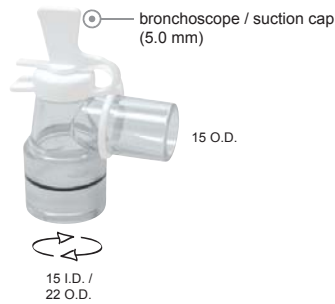
REF 60-60-333-1 Box 10

SWIVEL CONNECTORS, right angled

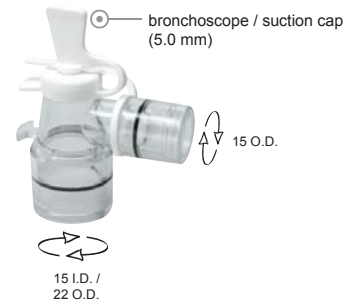
for single use, sterile
Material: PC



REF 60-60-222-1 Box 10



REF 60-60-555-1 Box 10



REF 60-60-111-1 Box 10

ELBOWS

for single use, Material: PC



REF 60-13-000 Box 10



REF 60-13-001 Box 10

UNCOUPLING WEDGE

autoclavable, Material: PA

REF 60-60-999 Box 10

