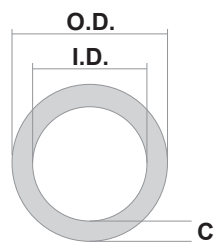


SILICONE TUBINGS, smooth

autoclavable, Color: transparent

I.D. (mm)	x	C	O.D. (mm)	REF	Box
0.5	x	0.4	1.3	68-005-04	25 m
1.0	x	0.5	2.0	68-010-05	25 m
1.0	x	1.0	3.0	68-010-10	25 m
1,5	x	0.75	3.0	68-015-075	25 m
2.0	x	1.0	4.0	68-020-10	25 m
3.0	x	1.0	5.0	68-030-10	25 m
3.0	x	1.5	6.0	68-030-15	25 m
4.0	x	1.0	6.0	68-040-10	25 m
4.0	x	1.5	7.0	68-040-15	25 m
4.0	x	2.0	8.0	68-040-20	25 m
5.0	x	1.0	7.0	68-050-10	25 m
5.0	x	1.5	8.0	68-050-15	25 m
5.0	x	2.0	9.0	68-050-20	25 m
6.0	x	1.0	8.0	68-060-10	25 m
6.0	x	1.5	9.0	68-060-15	25 m
6.0	x	2.0	10.0	68-060-20	25 m
6.0	x	3.0	12.0	68-060-30	25 m
7.0	x	1.5	10.0	68-070-15	25 m
7,0	x	2.0	11.0	68-070-20	25 m
7.0	x	3.0	13.0	68-070-30	25 m
8.0	x	1.0	10.0	68-080-10	25 m
8.0	x	2.0	12.0	68-080-20	25 m
8.0	x	3.0	14.0	68-080-30	25 m
9,0	x	2.0	13.0	68-090-20	25 m
10.0	x	2.0	14.0	68-100-20	25 m
10.0	x	3.0	16.0	68-100-30	25 m
12.0	x	3.0	18.0	68-120-30	25 m
12.0	x	4.0	20.0	68-120-40	25 m
14.0	x	3.0	20.0	68-140-30	25 m
15.0	x	3.0	21.0	68-150-30	25 m
16.0	x	3.0	22.0	68-160-30	25 m
18.0	x	3.0	24.0	68-180-30	25 m
20.0	x	2.0	24.0	68-200-20	25 m
20.0	x	3.0	26.0	68-200-30	25 m
25.0	x	2.0	29.0	68-250-20	25 m
25.0	x	4.0	33.0	68-250-40	25 m



Further sizes are available on request.

CONNECTION PIECES

for endobronchial double lumen tubes (Carlens Tubes)
autoclavable

Version	REF	Box
with tube clamps	60-80-200	5
without tube clamps	60-80-201	5



15 MM ENDO-ADAPTER

autoclavable

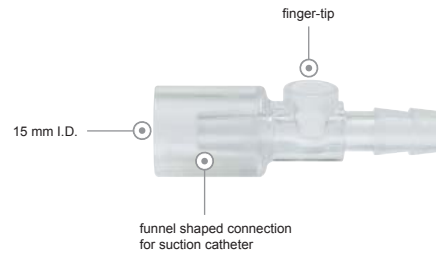


I.D. (mm)	Adapter Material: PSU	Adapter with wings Material: PSU	Adapter with Luer Lock sideport for pressure and gas measuring sterile, Material: PMP	Box
2.0	REF 44-2535-020	---	REF 44-3500-020-1	10
2.5	REF 44-2535-025	---	REF 44-3500-025-1	10
3.0	REF 44-2535-030	---	REF 44-3500-030-1	10
3.5	REF 44-2535-035	---	REF 44-3500-035-1	10
4.0	REF 44-2535-040	---	REF 44-3500-040-1	10
5.0	REF 44-2535-050	---	REF 44-3500-050-1	10
6.0	REF 44-2535-060	REF 44-2555-060	REF 44-3500-060-1	10
7.0	REF 44-2535-070	REF 44-2555-070	REF 44-3500-070-1	10
8.0	REF 44-2535-080	REF 44-2555-080	REF 44-3500-080-1	10
9.0	REF 44-2535-090	REF 44-2555-090	REF 44-3500-090-1	10
10.0	REF 44-2535-100	REF 44-2555-100	REF 44-3500-100-1	10

MECONIUM ASPIRATOR

for single use, Material: PC

- 15 mm I.D. connection allows direct connection to the ET Tube for tracheal suctioning of aspirated meconium
- funnel shaped connection of a standard suction catheter for suctioning of meconium in mouth and pharynx
- fits for tubing 7-9 mm I.D.



REF 49-30-000 Box 10

CONNECTORS, straight

autoclavable, Material: PSU



REF 60-30-002 Box 10



REF 60-30-003 Box 10



REF 60-30-005 Box 10



REF 60-30-006 Box 10



REF 60-40-002 Box 10



REF 60-40-003 Box 10



REF 60-40-005 Box 10



REF 60-40-006 Box 10

CONNECTORS, straight

autoclavable, Material: PSU



REF 60-12-110 Box 10



REF 60-12-300 Box 10



REF 60-12-400 Box 10



REF 60-50-002 Box 10



REF 60-12-501 Box 10



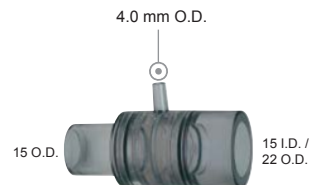
REF 60-50-005 Box 10



REF 60-50-003 Box 10



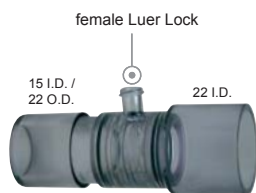
REF 60-12-601 Box 10



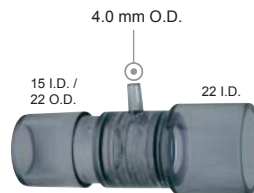
REF 60-12-602 Box 10



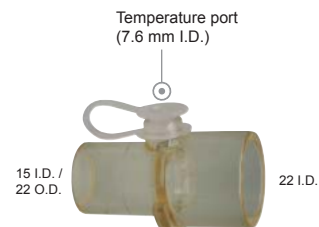
REF 60-12-200 Box 10



REF 60-12-201 Box 10



REF 60-12-202 Box 10



REF 60-12-203 Box 10

CONNECTOR, straight

autoclavable, Material: Aluminium

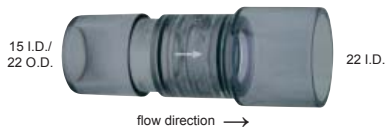


for O₂-Tubing

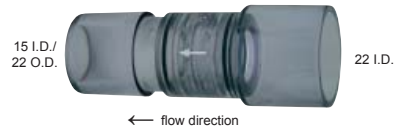
REF 60-71-002 Box 10

CONNECTORS WITH ONE-WAY-VALVE, straight

autoclavable, Material: PSU



REF 60-12-277 Box 1



REF 60-12-278 Box 1

SWIVEL CONNECTORS, straight

autoclavable, Material: PSU



REF 60-60-003 Box 10



REF 60-70-004 Box 10

CONNECTORS, right angled

autoclavable, Material: PSU



REF 60-65-002 Box 10



REF 60-65-004 Box 10



REF 60-65-005 Box 10

ELBOWS

autoclavable, Material: PSU



REF 60-12-000 Box 10



REF 60-12-001 Box 10



REF 60-12-002 Box 10

SWIVEL CONNECTORS, right angled

autoclavable, Material: PSU



REF 60-60-002 Box 10



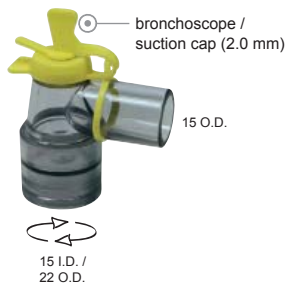
REF 60-60-004 Box 10



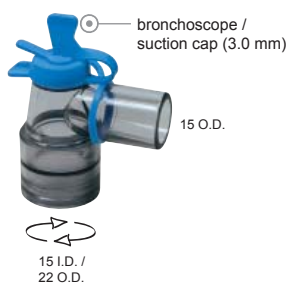
REF 60-60-010 Box 10



REF 60-60-006 Box 10



REF 60-60-305 Box 10



REF 60-60-205 Box 10



REF 60-60-005 Box 10

BROSU

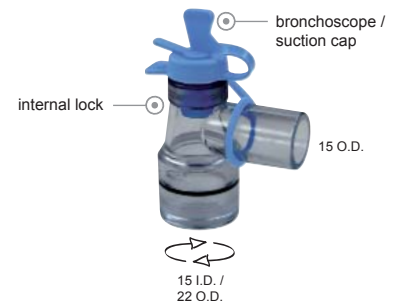
Connector with lock for safe bronchoscopy and suctioning without leaks

Once the cap is opened, the internal lock guarantees system tightness.

- anesthetic gases cannot escape
- no loss of pressure (PEEP)
- minimum risk of contamination during suctioning (alternative to sterile suction systems)
- ideal seal during and after bronchoscopy

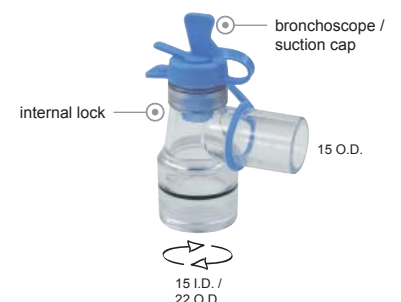
autoclavable, Material: PSU

Size (port)	Color code	fits for		REF	Box
		Suction Catheter	Bronchoscope		
2.0 mm	yellow	6 + 8 CH	≥ 2.0 mm O.D.	60-60-370	10
3.0 mm	blue	10, 12, 14, 16 CH	≥ 3.0 mm O.D.	60-60-270	10
5.0 mm	transparent	18 CH	≥ 5.0 mm O.D.	60-60-070	10



for single use, sterile, Material: PC

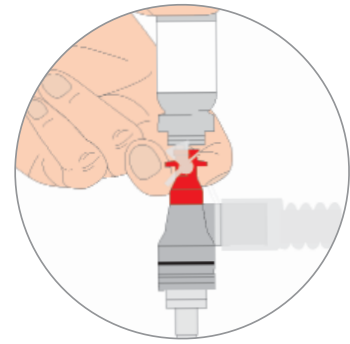
Size (port)	Color code	fits for		REF	Box
		Suction Catheter	Bronchoscope		
2.0 mm	yellow	6 + 8 CH	≥ 2.0 mm O.D.	60-60-361-1	10
3.0 mm	blue	10, 12, 14, 16 CH	≥ 3.0 mm O.D.	60-60-261-1	10
5.0 mm	transparent	18 CH	≥ 5.0 mm O.D.	60-60-061-1	10



TUBE INHALER

for application of MDI canisters on intubated patients
autoclavable, Material: PSU

- compatible with any MDI canister
- spray application during inspiration
- easy to use
- no interruption of ventilation
- suction port (max. 16 CH)



for MDI canisters with dose counter and standard MDI canisters

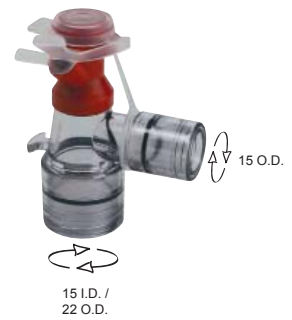
REF 60-67-009 Box 10



REF 60-65-009 Box 10



REF 60-60-009 Box 10



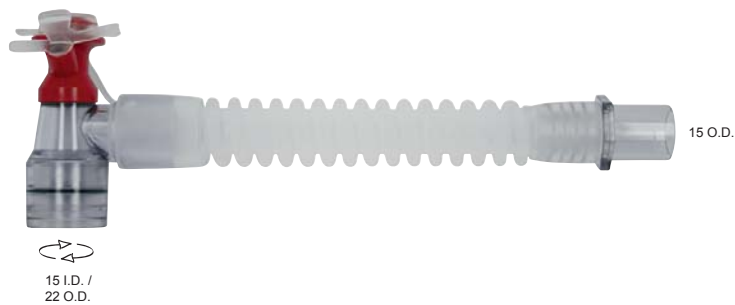
REF 60-60-209 Box 10

TUBE INHALER-CONNECTING TUBE

autoclavable, Material: Silicone (Connecting Tubing), PSU (Connector)

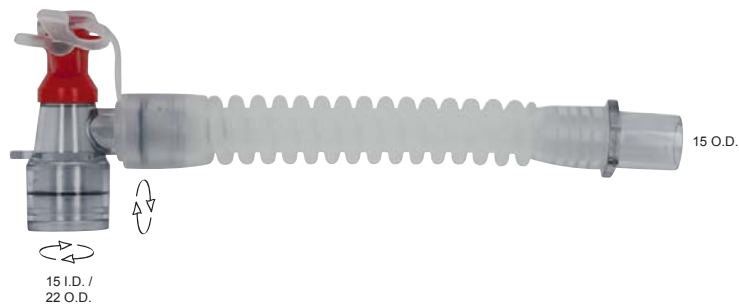
Length: 13 cm

REF 65-10-009 Box 10



Length: 13 cm

REF 65-15-209 Box 10



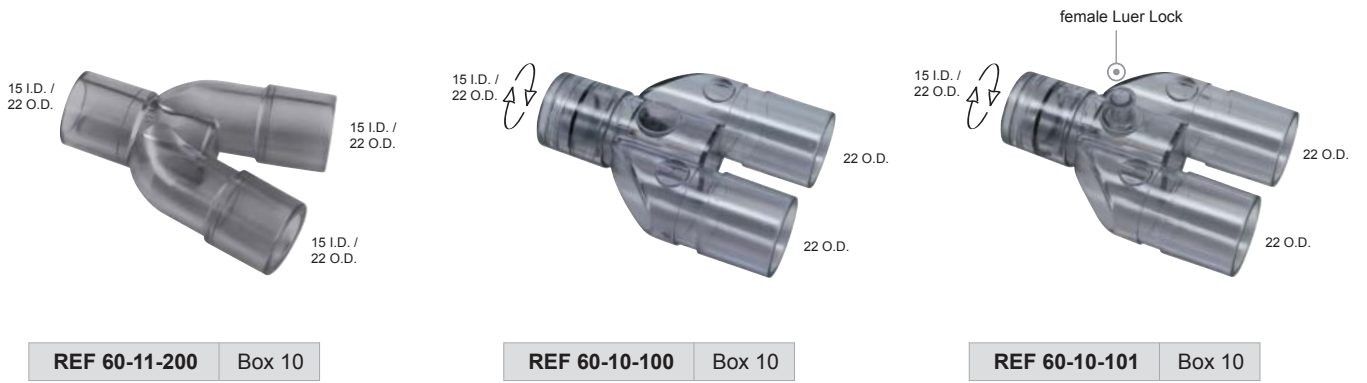
T-CONNECTORS

autoclavable, Material: PSU



Y-CONNECTORS, straight

autoclavable, Material: PSU

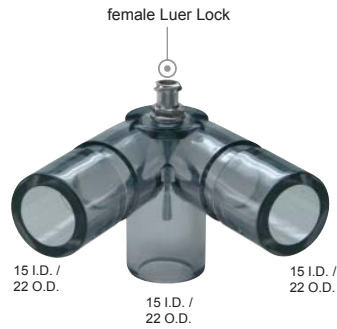


Y-CONNECTORS, right angled

autoclavable, Material: PSU



REF 60-11-300 Box 10



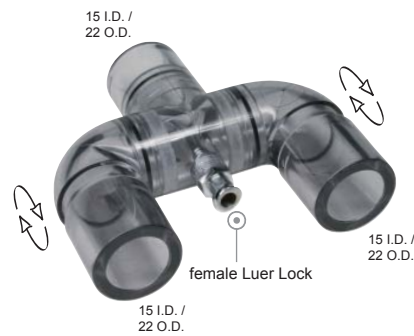
REF 60-11-302 Box 10

Y-CONNECTORS with adjustable connections

autoclavable, Material: PSU



REF 60-11-400 Box 10



REF 60-11-420 Box 10

CONNECTING TUBINGS, for CO₂ and pressure measuring

for single use

1.5 mm I.D. / 2.5 mm O.D.

Material: PVC / EVA / PE (3-layer technology)

Length	REF	Box
150 cm	61-99-150	10
200 cm	61-99-200	10
300 cm	61-99-300	10



1.5 mm I.D. / 3.0 mm O.D.

Material: PUR

Length	REF	Box
200 cm	61-95-200	10
300 cm	61-95-300	10

